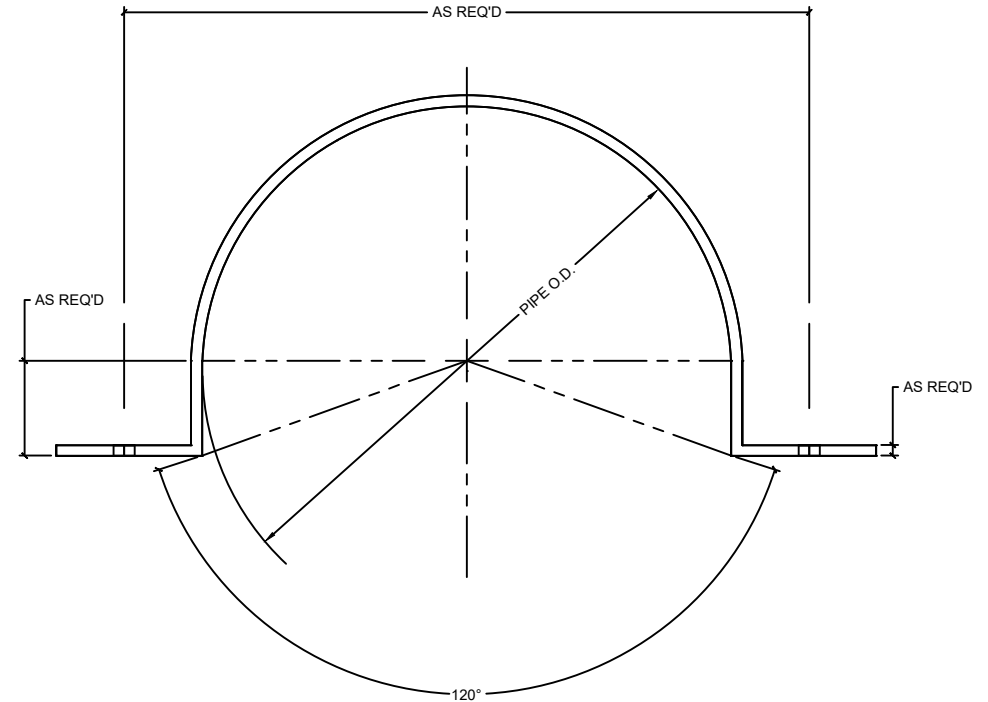
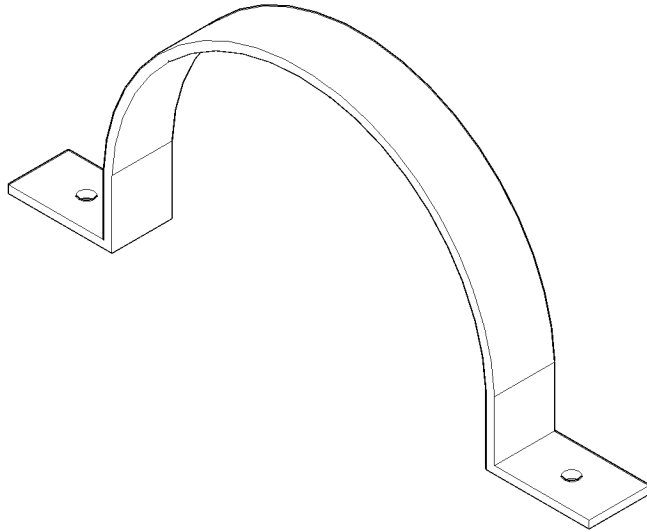


ALL STRAP AVAILABLE IN:
 CARBON STEEL (BARE, SHOP PRIMED OR HOT DIP GALVANIZED)
 STAINLESS STEEL - T304L OR T316L (BARE)

PIPE SIZE	MATERIAL	BOLT SIZE
Ø4"	¼" THK. x 2" WIDE	Ø ⁵ / ₈ "
Ø6"	¼" THK. x 2" WIDE	Ø ⁵ / ₈ "
Ø8"	¼" THK. x 2" WIDE	Ø ⁵ / ₈ "
Ø10"	¼" THK. x 2" WIDE	Ø ⁵ / ₈ "
Ø12"	¼" THK. x 2" WIDE	Ø ⁵ / ₈ "
Ø14"	¾" THK. x 2" WIDE	Ø ³ / ₄ "
Ø16"	¾" THK. x 2" WIDE	Ø ³ / ₄ "
Ø18"	¾" THK. x 3" WIDE	Ø ³ / ₄ "
Ø20"	¾" THK. x 3" WIDE	Ø ³ / ₄ "



"Quality Steel Fab for the Waterworks Industry"
www.pipesupportsplus.com

THIS DRAWING IS THE
 PROPERTY OF
 PIPE SUPPORTS PLUS
 AND MUST BE RETURNED
 UPON REQUEST.
 REPRODUCTION HEREOF
 OR TRANSMISSIONS MAY
 NOT BE MADE WITHOUT
 CONSENT

APPROVED FOR FABRICATION

SIGN : _____

PRINT : _____

DATE : _____

Description

240° PIPE STRAP

File

240° Pipe Strap.dwg

Drawn

MAP

Date

5/11/2021

N.T.S

ALL DIMENSIONS ARE IN INCH.