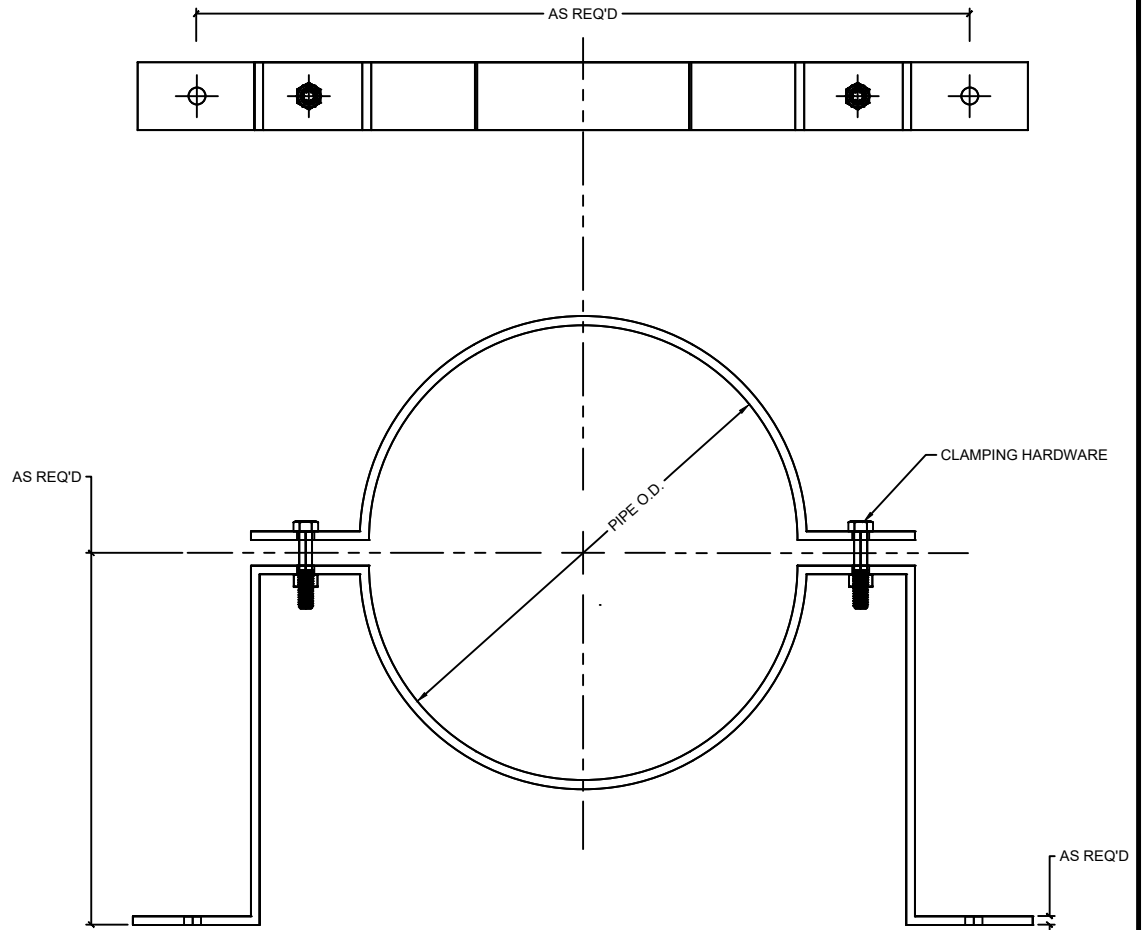
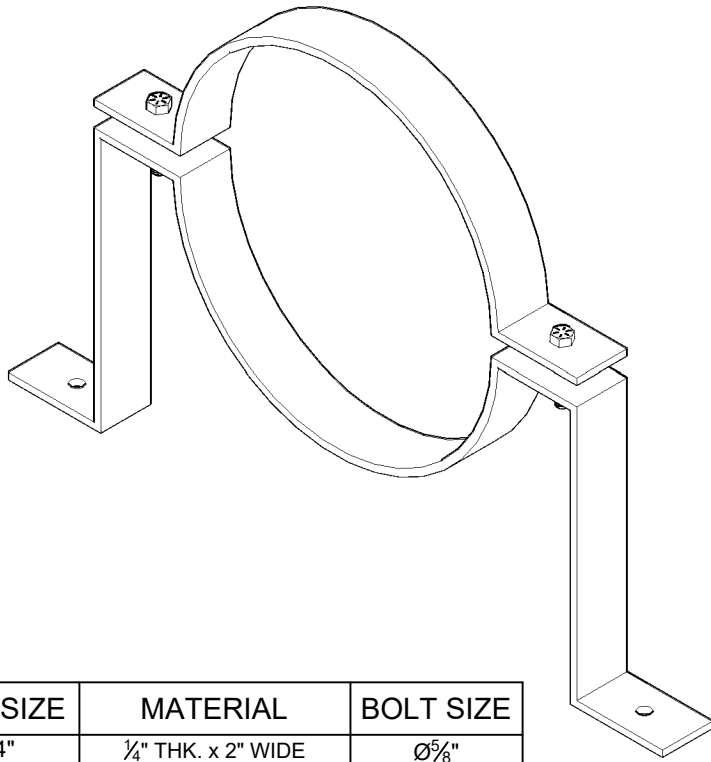


ALL STRAP AVAILABLE IN:
 CARBON STEEL (BARE, SHOP PRIMED OR HOT DIP GALVANIZED)
 STAINLESS STEEL - T304L OR T316L (BARE)



PIPE SIZE	MATERIAL	BOLT SIZE
Ø4"	¼" THK. x 2" WIDE	Ø⅝"
Ø6"	¼" THK. x 2" WIDE	Ø⅝"
Ø8"	¼" THK. x 2" WIDE	Ø⅝"
Ø10"	¼" THK. x 2" WIDE	Ø⅝"
Ø12"	¼" THK. x 2" WIDE	Ø⅝"
Ø14"	⅜" THK. x 2" WIDE	Ø¾"
Ø16"	⅜" THK. x 2" WIDE	Ø¾"
Ø18"	⅜" THK. x 3" WIDE	Ø¾"
Ø20"	⅜" THK. x 3" WIDE	Ø¾"



"Quality Steel Fab for the Waterworks Industry"
www.pipesupportsplus.com

THIS DRAWING IS THE PROPERTY OF PIPE SUPPORTS PLUS AND MUST BE RETURNED UPON REQUEST. REPRODUCTION HEREOF OR TRANSMISSIONS MAY NOT BE MADE WITHOUT CONSENT

APPROVED FOR FABRICATION

SIGN : _____

PRINT : _____

DATE : _____

Description

OFFSET PIPE STRAP

File

Offset Pipe Strap.dwg

Drawn

MAP

Date

5/11/2021

N.T.S

ALL DIMENSIONS ARE IN INCH.